

产品概述 INTRODUCTION



本系列马达壳体采用足够强度的球墨铸铁铸造而成，适用于负载较小且间隙工作的场合，广泛应用于农业、林业、塑料、机床、矿业机械，如注塑机的调模，清扫机，锯木机、工作平台等。  
This series of motor, with its shell made of ductile cast iron of adequate intensity, can be applied to situations with less load and interval operation, widely to agriculture, forestry, plastics, machine tools and min machines, such as the mould height adjustment of the injection molding machine, the cleaner, the saw the worktable etc.

性能特点 CHARACTERISTICS

- 1 主轴上装有深沟球轴承，可承受一定的轴向力和径向力。
  - 2 采用了轴向配油结构，体积小、重量轻。
  - 3 内置2个单向阀，不需要外接泄油管。
  - 4 采用了有滚柱的摆线轮组，摩擦力小，机械效率高。
- 1 The output shaft, with the deep groove ball bearing, can bear certain axial force and radial force.
  - 2 With the axial oil distribution structur, it is of smaller size and less weight.
  - 3 With two inner check valves, no drain connection.
  - 4 With cycloid group with the roller, it has a small friction nd high mechanical efficiency.

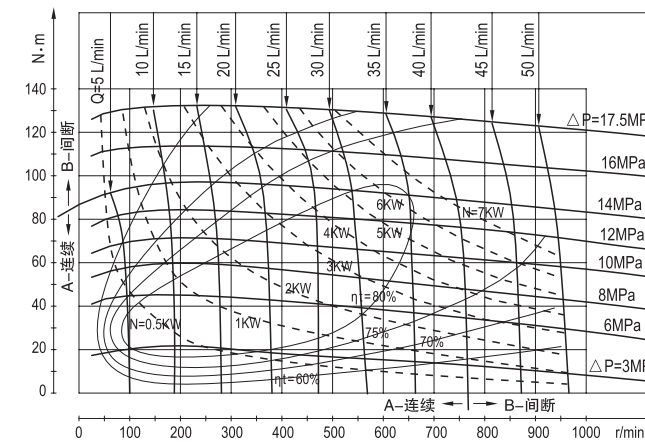
BMR 技术参数 TECHNICAL DATA

| 型号<br>TYPE                                | BMR-50   | BMR-80  | BMR-100  | BMR-125  | BMR-160  | BMR-200  | BMR-250  | BMR-315  | BMR-400  |
|---|----------|---------|----------|----------|----------|----------|----------|----------|----------|
|   | BMRW-50  | BMRW-80 | BMRW-100 | BMRW-125 | BMRW-160 | BMRW-200 | BMRW-250 | BMRW-315 | BMRW-400 |
| 排量<br>Displacement(ml/r)                  | 51.7     | 80.5    | 100.5    | 126.3    | 160.8    | 200.9    | 252.6    | 321.5    | 401.9    |
| 最大压降<br>Max.Pressure.Drop<br>(Mpa)        | 连续 cont. | 14      | 14       | 14       | 14       | 14       | 11       | 9        | 7        |
|   | 间断 int.  | 17.5    | 17.5     | 17.5     | 17.5     | 17.5     | 14       | 11       | 9        |
|   | 尖峰 peak. | 20      | 20       | 20       | 20       | 20       | 16       | 13       | 11       |
| 最大扭矩<br>Max.torque<br>(N.m)               | 连续 cont. | 93      | 152      | 194      | 237      | 310      | 369      | 380      | 380      |
|   | 间断 int.  | 118     | 189      | 236      | 296      | 378      | 450      | 470      | 470      |
|   | 尖峰 peak. | 135     | 216      | 270      | 338      | 433      | 509      | 540      | 540      |
| 转速范围(连续)<br>Speed.Range(cont.)(r/min)     | 10-775   | 10-750  | 10-600   | 9-475    | 7-375    | 5-300    | 5-240    | 5-190    | 5-160    |
| 最大流量(连续)<br>Max.Flow(cont.)(L/min)        | 40       | 60      | 60       | 60       | 60       | 60       | 60       | 60       | 60       |
| 最大输出功率(连续)<br>Max.Output.Power(cont.)(Kw) | 7        | 10      | 10       | 10       | 10       | 8        | 6        | 5        | 4        |
| 重量<br>Weight (kg)                         | 6.5      | 6.9     | 7.0      | 7.3      | 7.5      | 8.0      | 8.5      | 9.0      | 11       |

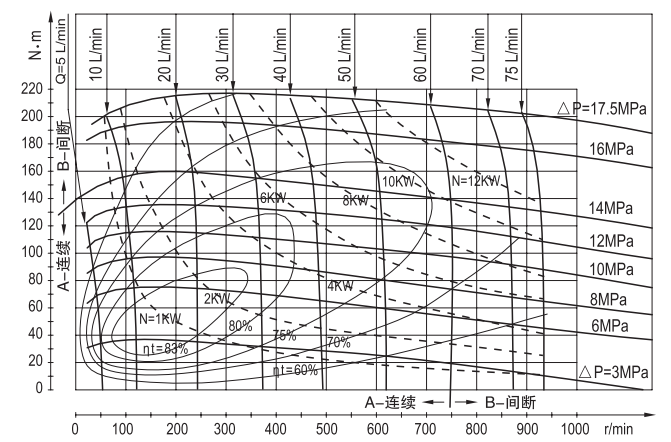
间断工作时间每分钟不得超过6秒，尖峰工作时间每分钟不得超过0.6秒  
Intermittent operation the permissible values may occur for max. 10% of every minute  
Peak load: the permissible values may occur for max. 1% of every minute

BMR性能曲线图 FUNCTION DIAGRAMS

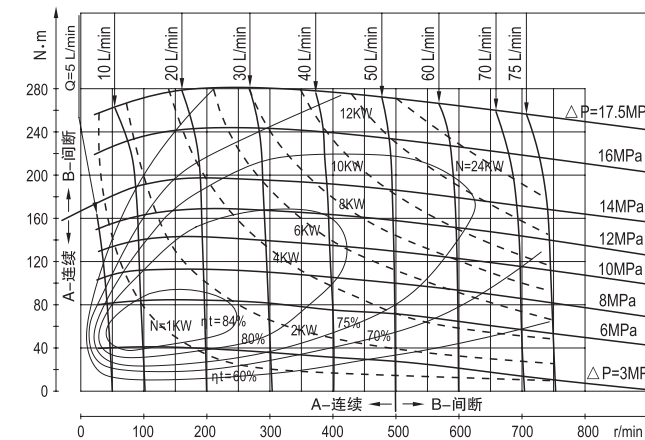
BMR-50



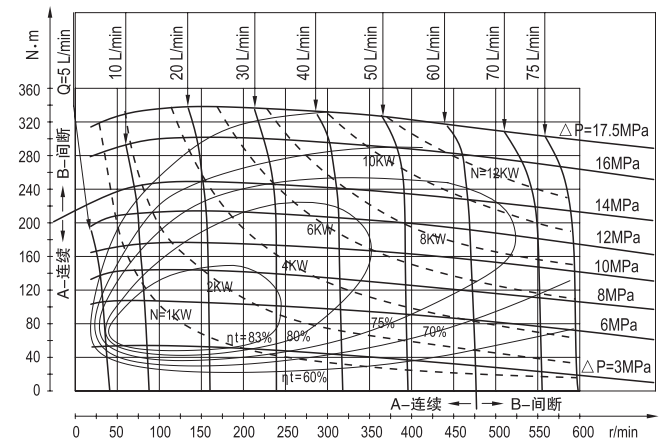
BMR-80



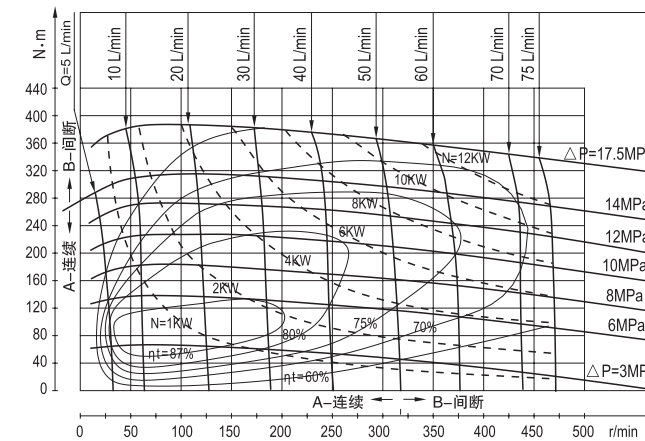
BMR-100



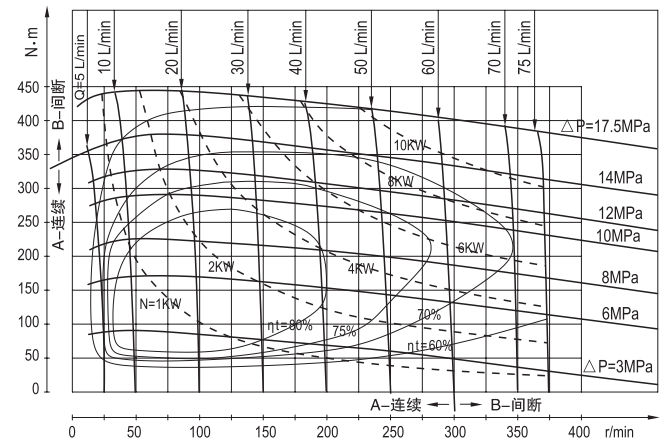
BMR-125



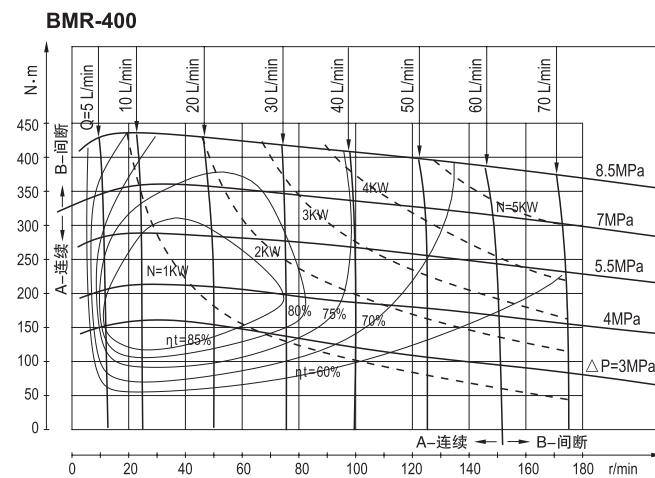
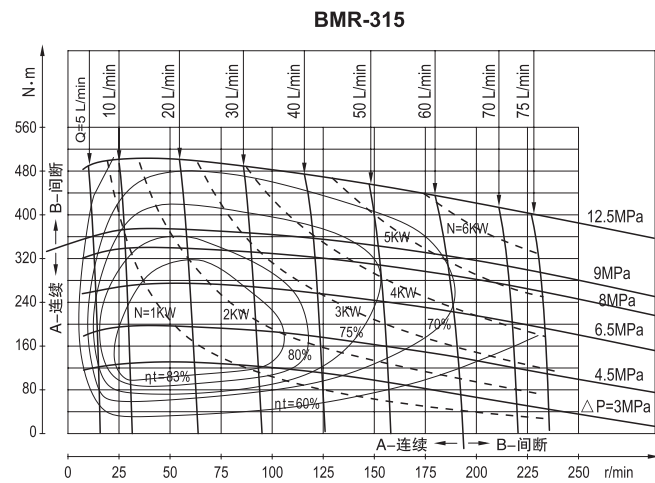
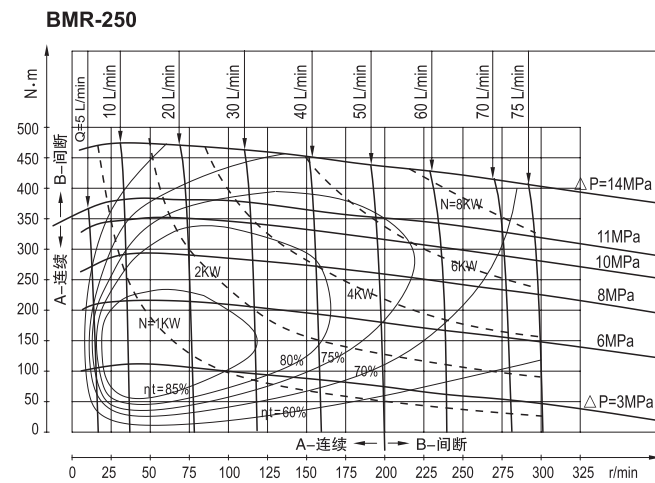
BMR-160



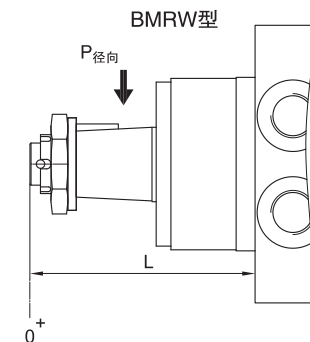
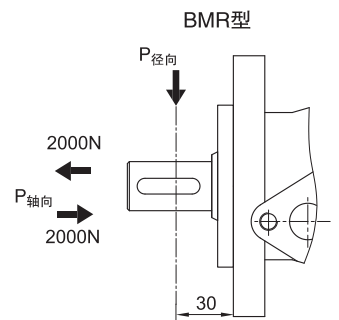
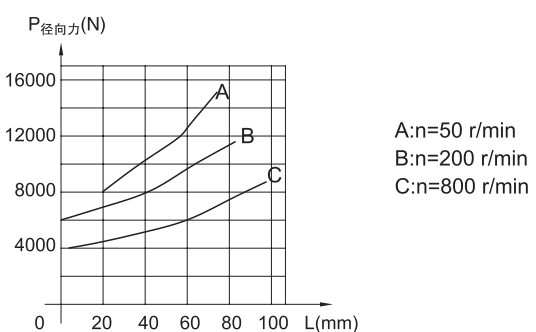
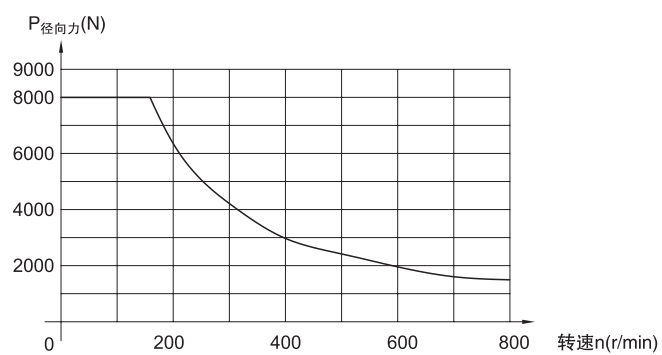
BMR-200



■ BMR性能曲线图 FUNCTION DIAGRAMS

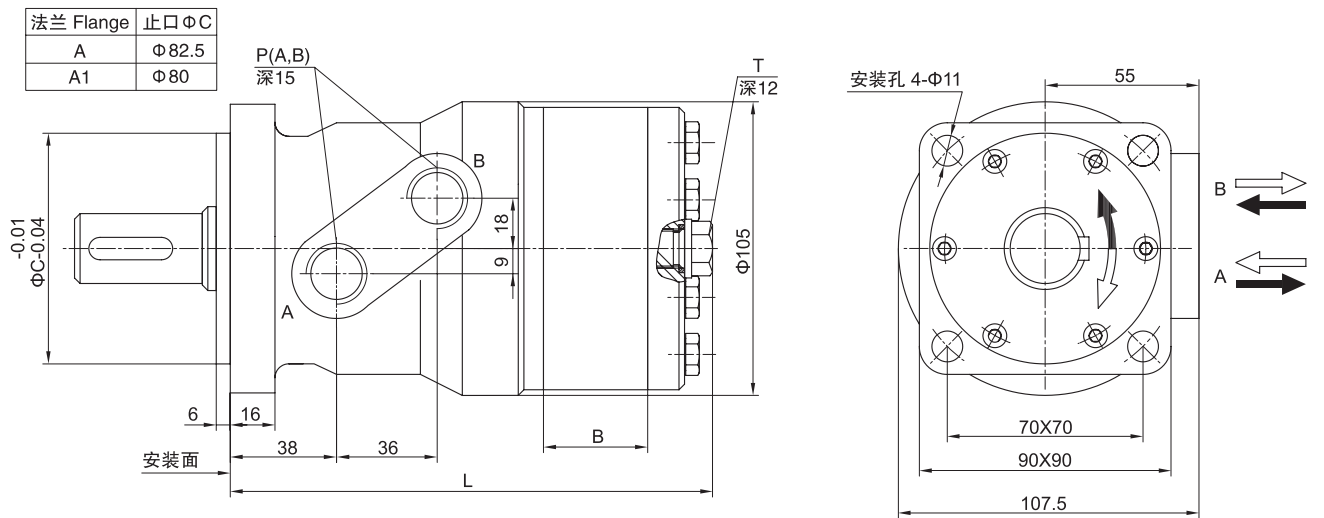


■ 输出轴允许负载 PERMISSIBLE SHAFT LOADS

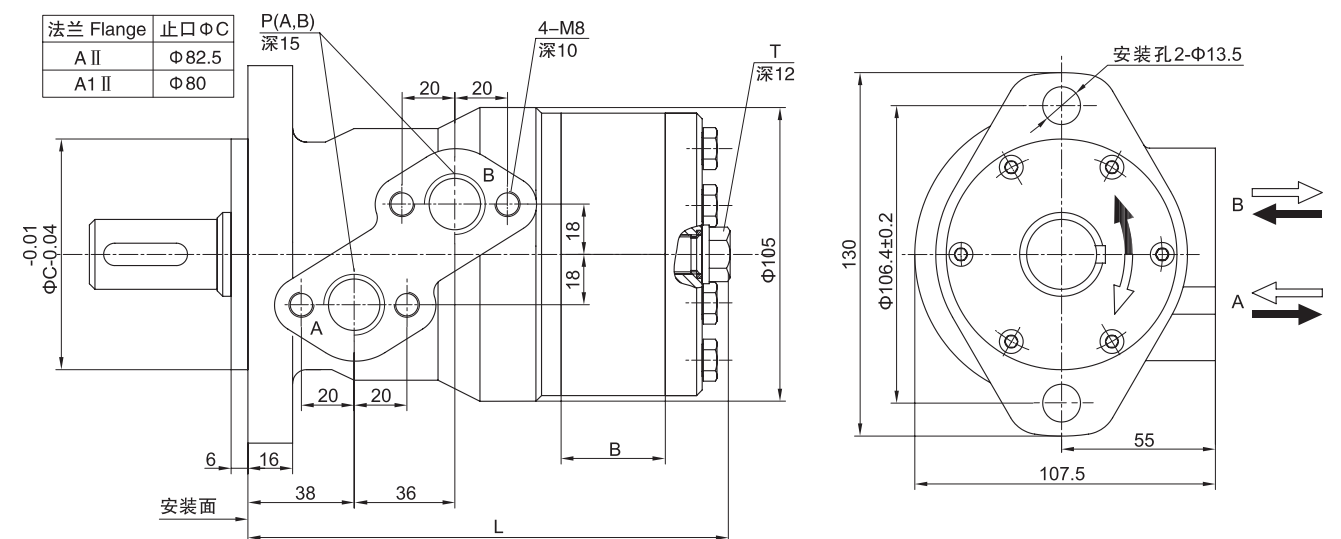


■ BMR 外形安装图 Installation

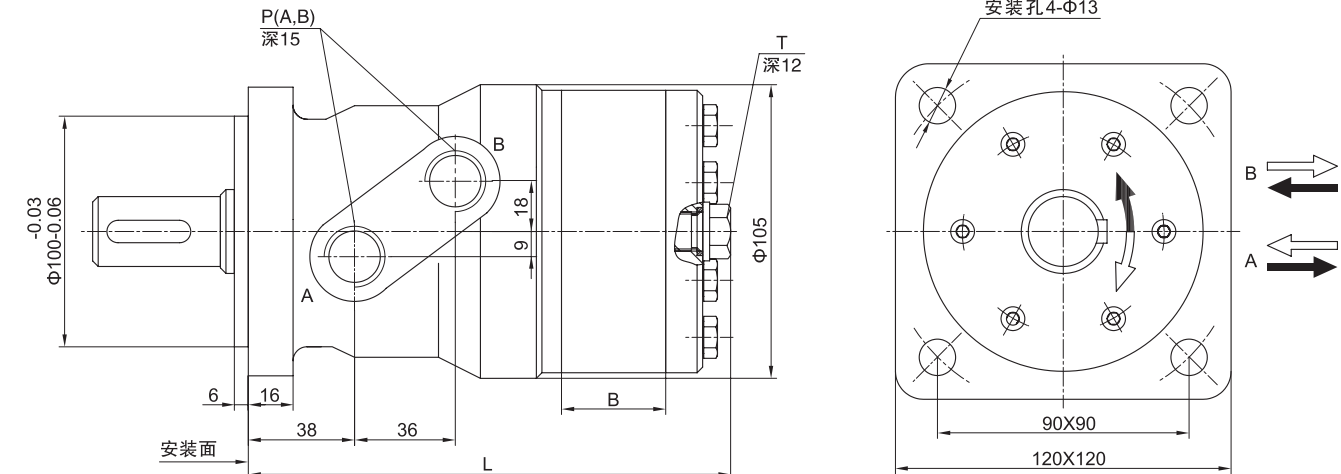
A, A1型 方法兰 A, A1 Version Square flange



A II, A1 II型 2孔菱形法兰 A II, A1 II Version 2-hole oval flange

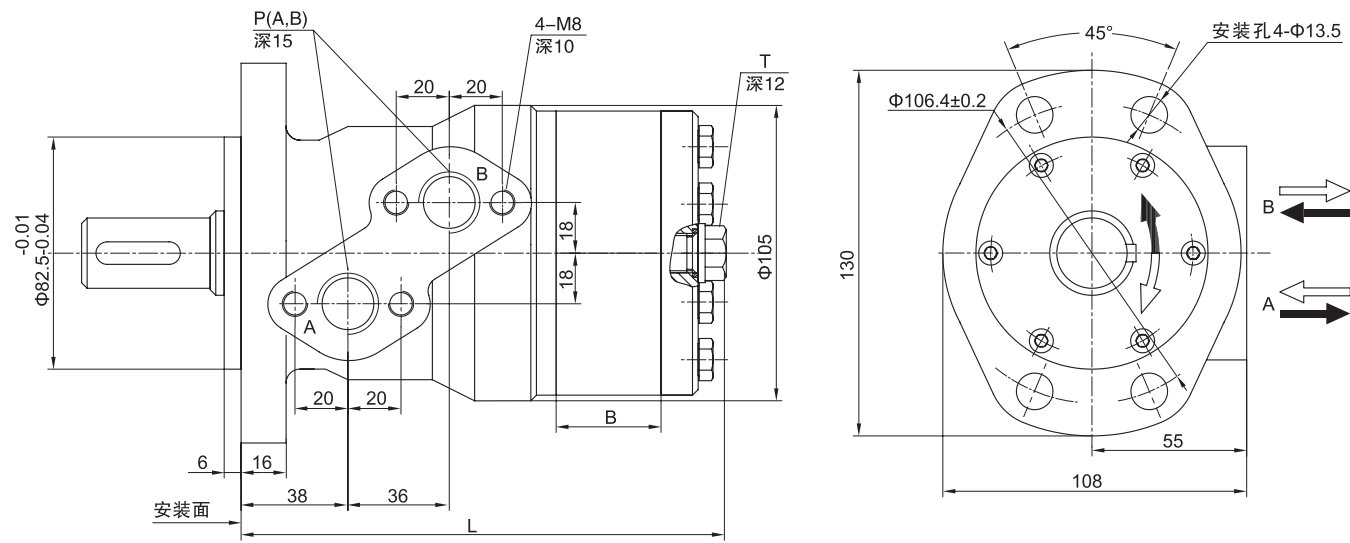


A2 III型 大方法兰 A2 III Version Square flange



■ BMR 外形安装图 Installation

AIV 4孔菱形法兰 AIV Version 4-hole oval flange

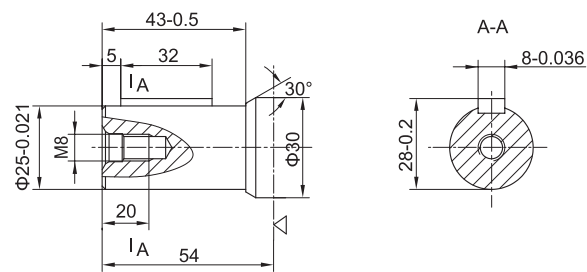


| 型号<br>TYPE | BMR-50 | BMR-80 | BMR-100 | BMR-125 | BMR-160 | BMR-200 | BMR-250 | BMR-315 | BMR-400 |
|------------|--------|--------|---------|---------|---------|---------|---------|---------|---------|
| L          | 139    | 144    | 148     | 152     | 158     | 165     | 174     | 186     | 200     |
| B          | 9      | 14     | 17.5    | 22      | 28      | 35      | 44      | 56      | 70      |

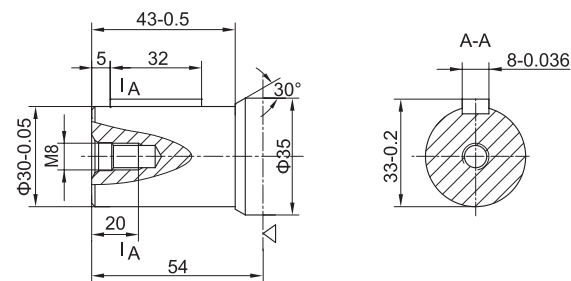
P(A,B)---进出油口，详见第9页型号说明；T---泄油口，详见第9页型号说明。

■ BMR 外形连接尺寸-输出轴 SHAFT VERSION

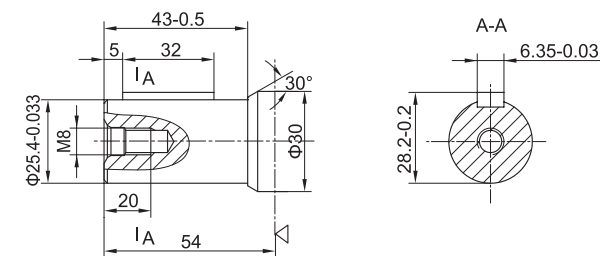
P1: Φ25平键轴，平键8X7X32  
Φ25 Cylindrical shaft, parallel key 8X7X32



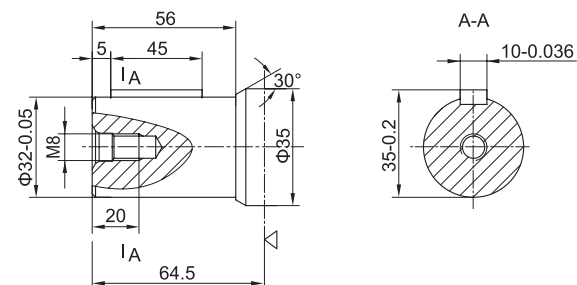
P2: Φ30平键轴，平键8X7X32  
Φ30 Cylindrical shaft, parallel key 8X7X32



P3: Φ25.4平键轴，平键6.35X6.35X32  
Φ25.4 Cylindrical shaft, parallel key 6.35X6.35X32



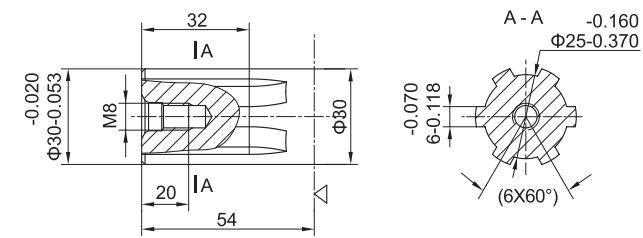
P5: Φ32平键轴，平键10X8X45  
Φ32 Cylindrical shaft, parallel key 10X8X45



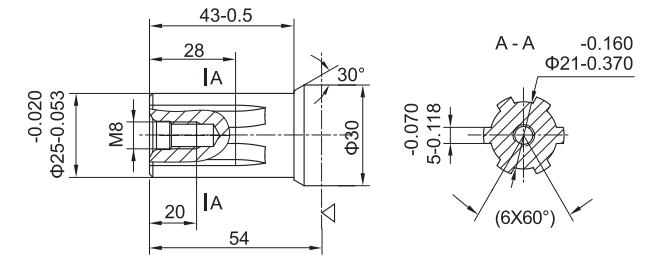
◁-- 马达安装面

■ BMR 外形连接尺寸-输出轴 SHAFT VERSION

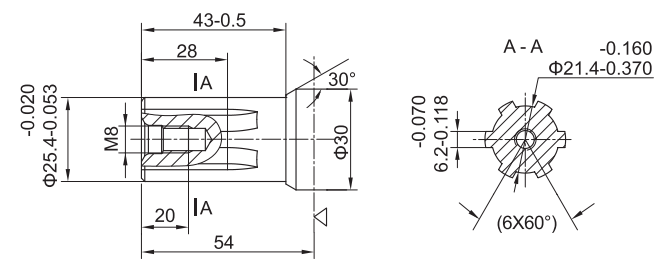
H1: Φ30矩形花键轴，6-30X25X6  
Φ30 Splined shaft, 6-30X25X6



H2: Φ25矩形花键轴，6-25X21X5  
Φ25 Splined shaft, 6-25X21X5



H3: Φ25.4矩形花键轴，6-25.4X21.4X6.2  
Φ25.4 Splined shaft, 6-25.4X21.4X6.2



◁-- 马达安装面

■ BMR 型号意义 ORDERING CODE

|     |   |   |   |   |   |
|-----|---|---|---|---|---|
|     | 1 | 2 | 3 | 4 | 5 |
| BMR | - |   |   | / |   |

| 1  | 排量 Displacement                   |
|----|-----------------------------------|
|    | 50、80、100、125、160、200、250、315、400 |
| 2  | 输出轴 Shaft                         |
| P1 | Φ25平键轴，平键8X7X32                   |
| P2 | Φ30平键轴，平键8X7X32                   |
| P3 | Φ25.4平键轴，平键6.35X6.35X32           |
| P5 | Φ32平键轴，平键10X8X45                  |
| H1 | Φ30矩形花键轴，6-30X25X6                |
| H2 | Φ25矩形花键轴，6-25X21X5                |
| H3 | Φ25.4矩形花键轴，6-25.4X21.4X6.2        |

| 4  | 油口 Ports              |         |
|----|-----------------------|---------|
|    | 进出油口P(A,B)            | 泄油口T    |
| Y  | G1/2                  | M14X1.5 |
| Y1 | M18X1.5               | M14X1.5 |
| Y2 | M22X1.5               | M14X1.5 |
| Y5 | 7/8-14UNF             | M14X1.5 |
| Y8 | NPT 1/2               | M14X1.5 |
| 5  | 特殊要求 Special Features |         |
| 省略 | 没有                    |         |
| T  | 有(订购时说明)              |         |

| 3     | 安装法兰 Mounting Flange |
|-------|----------------------|
| A     | 4-Φ11法兰，止口Φ82.5      |
| A1    | 4-Φ11法兰，止口Φ80        |
| A II  | 2-Φ13.5菱形法兰，止口Φ82.5  |
| A1II  | 2-Φ13.5菱形法兰，止口Φ80    |
| A2III | 4-Φ13大方法兰，止口Φ100     |
| A IV  | 4-Φ13.5菱形法兰，止口Φ82.5  |